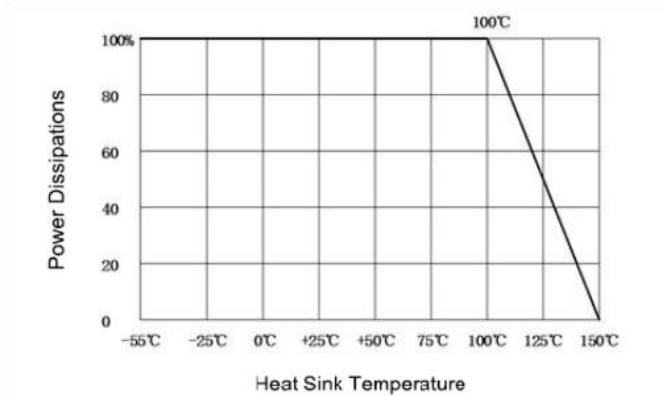


Flange Resistors

Electrical Features

- ◇ **Resistance:** 100Ω standard (5Ω ~ 1000Ω available)
- ◇ **Resistive Tolerance:** ±5% standard; ±3%, ±2%, ±1% available
- ◇ **Substrate Material:** Aluminum Nitride (AlN)
- ◇ **Power Rating:** 10W-800W
- ◇ **Operating Temperature:** -55°C to +150°C
- ◇ **Temperature Coefficient:** ±150ppm/°C
- ◇ **RoHS Compliant**

Power Derating



HOW TO ORDER

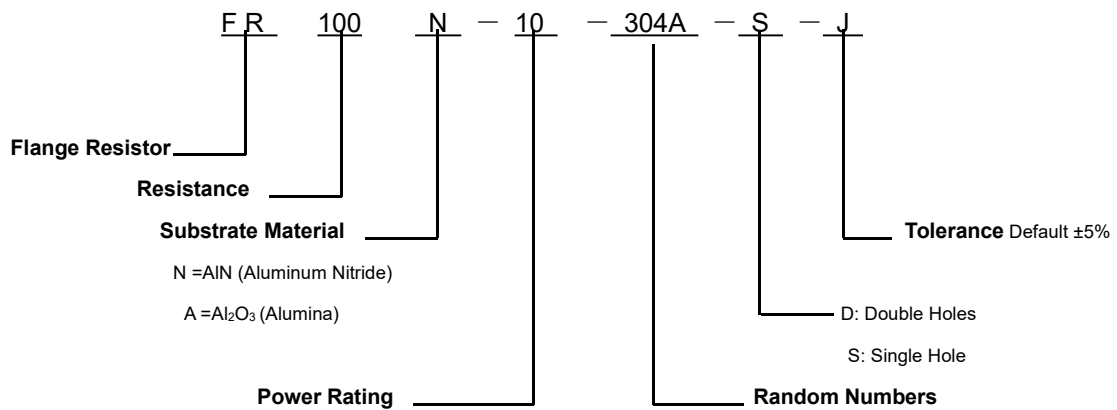


Figure A-1

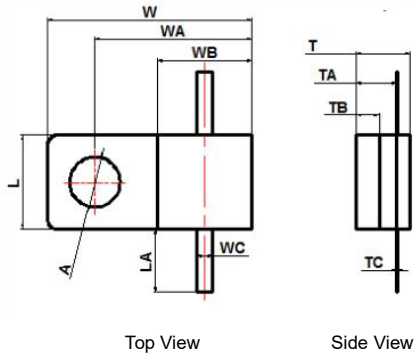
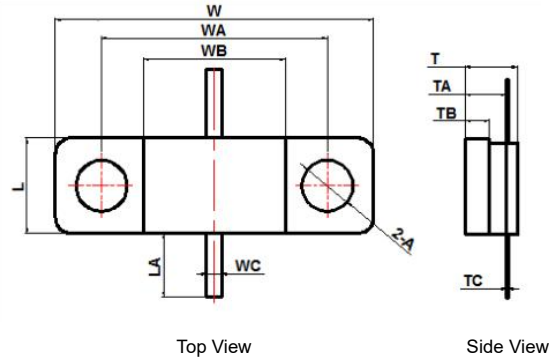


Figure A-2



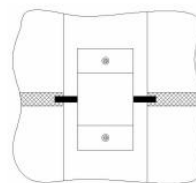
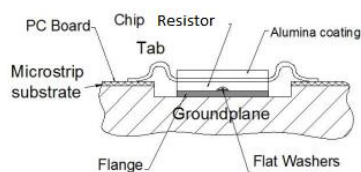
General Specifications and Dimensions

Part Number	Power Rating (W)	Dimensions (mm)											Outline Drawing
		L	W	T	WA	WB	LA	WC	TA	TB	TC	A	
FRXXN-10-303A-S-J	10	5.0	7.7	3.5	5.1	2.5	4.0	1.0	2.6	1.5	0.15	3.1	A-1
FRXXN-10-702A-S-J	10	4.0	9.0	3.0	7.0	4.0	4.0	1.0	2.1	1.0	0.15	2.0	A-1
FRXXN-20-303A-S-J	20	5.0	7.7	3.5	5.1	2.5	4.0	1.0	2.6	1.5	0.15	3.1	A-1
FRXXN-60-106A-S-J	60	6.0	13.0	3.5	10.0	6.0	6.0	1.0	2.6	1.5	0.15	3.2	A-1
FRXXN-60-318A-S-J	60	6.35	13.0	3.5	10.0	6.35	6.0	1.0	2.6	1.5	0.15	3.2	A-1
FRXXN-100-502A-D-J	100	5.7	20	3.5	14.2	8.9	4.0	1.0	2.6	1.5	0.1	3.2	A-2
FRXXN-100-112A-D-J	100	6.0	20	3.6	14.2	6.0	4.5	1.0	2.6	1.6	0.15	3.2	A-2
FRXXN-150-307A-D-J	150	9.5	22.1	3.5	14.2	6.35	6.0	1.4	2.6	1.5	0.15	4.1	A-2
FRXXN-250-009A-D-J	250	9.5	24.8	5.5	18.4	9.5	6.0	2.4	4.6	3.0	0.1	3.5	A-2
FRXXN-400-705A-D-J	400	12.7	32.0	6.5	22.0	12.7	8.0	2.4	5.3	3.2	0.15	4.0	A-2
FRXXN-800-401A-D-J	800	26.4	48.3	6.5	40.0	25.4	8.0	6.4	5.0	3.2	0.15	4.2	A-2

* Customized products are available, please consult with Kete.

Installation Instructions

1. When welding devices or leads, it is best to use a temperature-controlled soldering iron and keep the temperature at 260°C.
2. It is best to make an arch bridge shape at the lead (as shown), which can release the ability of thermal deformation to ensure good contact at the lead. Install the lead as little as possible to prevent the lead break.



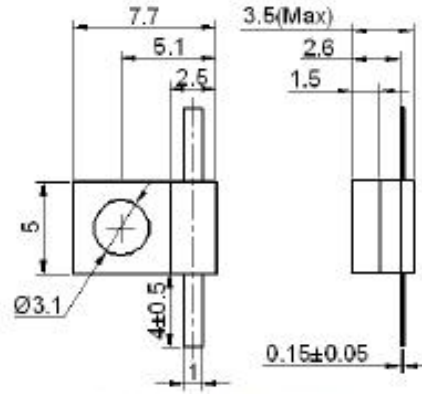
Flange Resistors

Part Number: FRXXN-10-303A-S-J

Electrical Specifications

- ◇ **Resistance:** 100 Ω standard (5Ω~3000Ω available)
- ◇ **Resistive Tolerance:** ±5% standard
- ◇ **Substrate Material:** AlN
- ◇ **Power Rating:** 10W
- ◇ **Operating Temperature:** -55°C to +150°C
- ◇ **Temperature Coefficient:** ±150ppm/°C
- ◇ **Lead Length:** 4mm
- ◇ **RoHS Compliant**

Outline Drawing (mm)

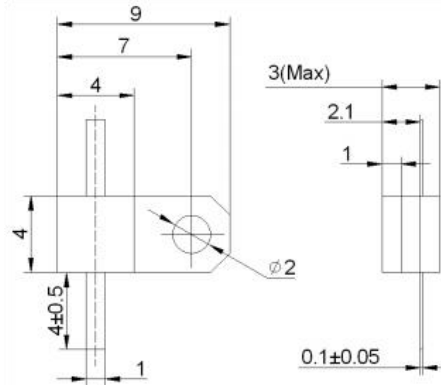


Part Number: FRXXN-10-702A-S-J

Electrical Specifications

- ◇ **Resistance:** 100 Ω standard (5Ω~3000Ω available)
- ◇ **Resistive Tolerance:** ±5% standard
- ◇ **Substrate Material:** AlN
- ◇ **Power Rating:** 10W
- ◇ **Operating Temperature:** -55°C to +150°C
- ◇ **Temperature Coefficient:** ±150ppm/°C
- ◇ **Lead Length:** 4mm
- ◇ **RoHS Compliant**

Outline Drawing (mm)

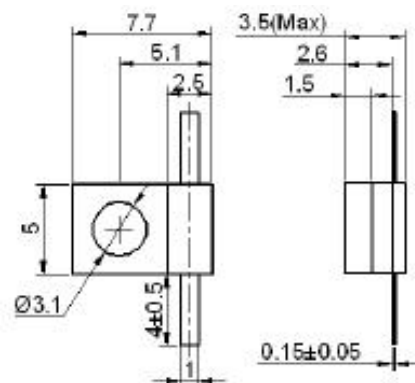


Part Number: FRXXN-20-303A-S-J

Electrical Specifications

- ◇ **Resistance:** 100 Ω standard (5Ω~3000Ω available)
- ◇ **Resistive Tolerance:** ±5% standard
- ◇ **Substrate Material:** AlN
- ◇ **Power Rating:** 20W
- ◇ **Operating Temperature:** -55°C to +150°C
- ◇ **Temperature Coefficient:** ±150ppm/°C
- ◇ **Lead Length:** 4mm
- ◇ **RoHS Compliant**

Outline Drawing (mm)



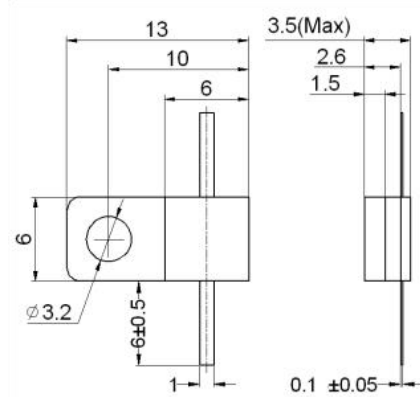
Flange Resistors

Part Number: FRXXN-60-106A-S-J

Electrical Specifications

- ◇ **Resistance:** 100 Ω standard (5Ω~3000Ω available)
- ◇ **Resistive Tolerance:** ±5% standard
- ◇ **Substrate Material:** AlN
- ◇ **Power Rating:** 60W
- ◇ **Operating Temperature:** -55°C to +150°C
- ◇ **Temperature Coefficient:** ±150ppm/°C
- ◇ **Lead Length:** 6mm
- ◇ **RoHS Compliant**

Outline Drawing (mm)



Part Number: FRXXN-60-318A-S-J

Electrical Specifications

- ◇ **Resistance:** 100 Ω standard (5Ω~3000Ω available)
- ◇ **Resistive Tolerance:** ±5% standard
- ◇ **Substrate Material:** AlN
- ◇ **Power Rating:** 60W
- ◇ **Operating Temperature:** -55°C to +150°C
- ◇ **Temperature Coefficient:** ±150ppm/°C
- ◇ **Lead Length:** 6mm
- ◇ **RoHS Compliant**

Outline Drawing (mm)



Part Number: FRXXN-100-502A-D-J

Electrical Specifications

- ◇ **Resistance:** 100 Ω standard (5Ω~3000Ω available)
- ◇ **Resistive Tolerance:** ±5% standard
- ◇ **Substrate Material:** AlN
- ◇ **Power Rating:** 100W
- ◇ **Operating Temperature:** -55°C to +150°C
- ◇ **Temperature Coefficient:** ±150ppm/°C
- ◇ **Lead Length:** 4mm
- ◇ **RoHS Compliant**

Outline Drawing (mm)



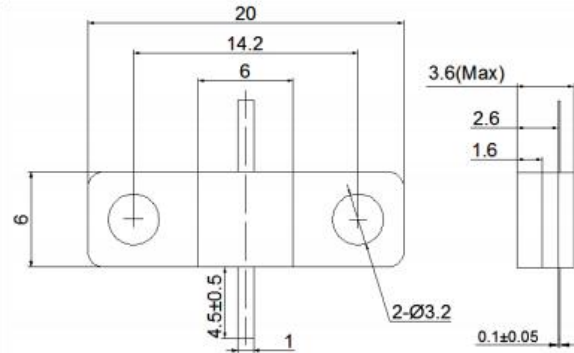
Flange Resistors

Part Number: FRXXN-100-112A-D-J

Electrical Specifications

- ◇ **Resistance:** 100 Ω standard (5Ω~3000Ω available)
- ◇ **Resistive Tolerance:** ±5% standard
- ◇ **Substrate Material:** AlN
- ◇ **Power Rating:** 100W
- ◇ **Operating Temperature:** -55°C to +150°C
- ◇ **Temperature Coefficient:** ±150ppm/°C
- ◇ **Lead Length:** 6mm
- ◇ **RoHS Compliant**

Outline Drawing (mm)

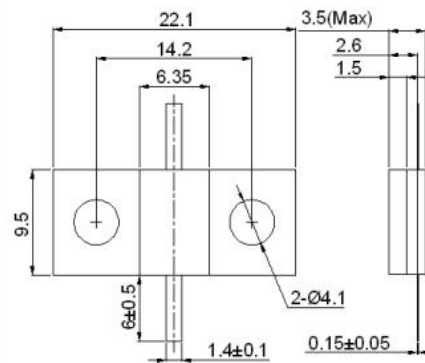


Part Number: FRXXN-150-307A-D-J

Electrical Specifications

- ◇ **Resistance:** 100 Ω standard (5Ω~3000Ω available)
- ◇ **Resistive Tolerance:** ±5% standard
- ◇ **Substrate Material:** AlN
- ◇ **Power Rating:** 150W
- ◇ **Operating Temperature:** -55°C to +150°C
- ◇ **Temperature Coefficient:** ±150ppm/°C
- ◇ **Lead Length:** 6mm
- ◇ **RoHS Compliant**

Outline Drawing (mm)

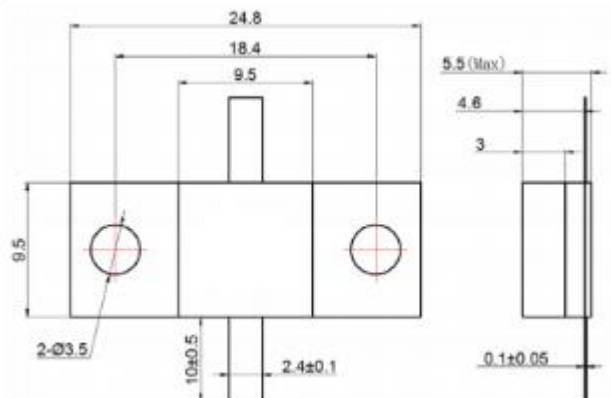


Part Number: FRXXN-250-009A-D-J

Electrical Specifications

- ◇ **Resistance:** 100 Ω standard (5Ω~3000Ω available)
- ◇ **Resistive Tolerance:** ±5% standard
- ◇ **Substrate Material:** AlN
- ◇ **Power Rating:** 250W
- ◇ **Operating Temperature:** -55°C to +150°C
- ◇ **Temperature Coefficient:** ±150ppm/°C
- ◇ **Lead Length:** 6mm
- ◇ **RoHS Compliant**

Outline Drawing (mm)



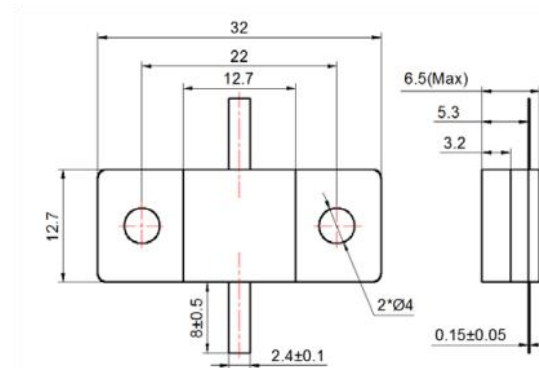
Flange Resistors

Part Number: FRXXN-400-009A-D-J

Electrical Specifications

- ◇ **Resistance:** 100 Ω standard (5Ω~3000Ω available)
- ◇ **Resistive Tolerance:** ±5% standard
- ◇ **Substrate Material:** AlN
- ◇ **Power Rating:** 400W
- ◇ **Operating Temperature:** -55°C to +150°C
- ◇ **Temperature Coefficient:** ±150ppm/°C
- ◇ **Lead Length:** 8mm
- ◇ **RoHS Compliant**

Outline Drawing (mm)



Part Number: FRXXN-800-401A-D-J

Electrical Specifications

- ◇ **Resistance:** 100 Ω standard (5Ω~3000Ω available)
- ◇ **Resistive Tolerance:** ±5% standard
- ◇ **Substrate Material:** AlN
- ◇ **Power Rating:** 800W
- ◇ **Operating Temperature:** -55°C to +150°C
- ◇ **Temperature Coefficient:** ±150ppm/°C
- ◇ **Lead Length:** 8mm
- ◇ **RoHS Compliant**

Outline Drawing (mm)

